

# Instamat

eco  
DESIGN



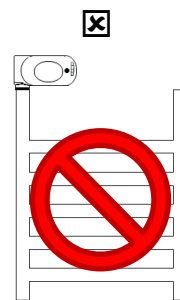
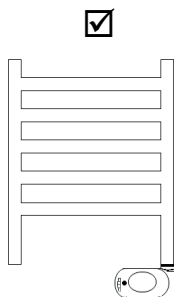
## Manual thermostat EL.BEDIENING.08

Technical specifications	
Product	Digital clock thermostat
Application	Towel radiators
Version	Class II
IP code	IP44
Display	Temperature, date/time, mode/functions, indication heating activity, key lock.
Functions / Modes	Comfort, Night, Antifreeze, Stand-by, Fil-Pilote, Timer-2h, Chrono-thermostat, Open Window Detection.
Selectable range	+7°C / +32°C
Operational temp.	-10°C / +40°C
Maximal power	2000 Watt
Supply voltage	230 V / 50 Hz
Size	113 x 73 x 42 mm (LxHxD)
Connection	Faston 6.3x0.8mm, phase, neutral
Sensor	10K Ohm at 25°C, type NTC
Warranty	2 years
Standard	Eco-design Directive for Energy-using Products, 2005/32/EC (<0,5W) EN 62233:2008 EN 55014-1:2006 + A1:2009 + A2:2011 EN 55014-2:1997 + A1:2001 + IS1:2007 + A2:2008 => Cat. 2 EN 61000-3-2:2014 EN 61000-3-3:201
Approval mark	CE
Environmental	WEEE, RoHS

**WARNING:** This manual is an addition to the instructions of Instamat Warmtetechniek BV. Please read the manual carefully before use and keep this for future reference.

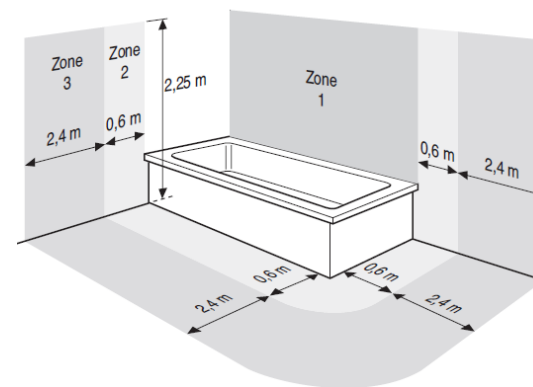
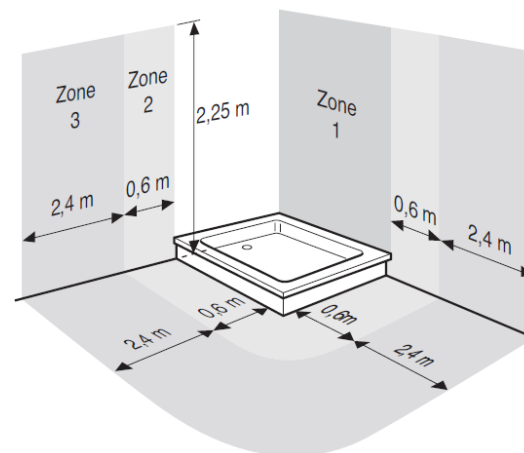
### DISCONNECT POWER SUPPLY BEFORE PROCEEDING WITH INSTALLATION!

- The thermostat is designed for heating the liquid contained inside a towel radiator in combination with a heating element. Any other use is forbidden.
- Before use, carefully ensure that the line voltage is the same as specified for the thermostat (see technical specs).
- In case of damage of the power supply shut down the thermostat.
- The thermostat and heating element should only be installed /replaced by a proper installer.
- Children aged under 8 years old and people with reduced physical, sensory or mental abilities, can use the device only under supervision.
- Ensure that the mounting and installation adhere to local legal requirements.
- The heating element must always be completely submerged in liquid. This is to prevent burnout/short circuit.



### Zones

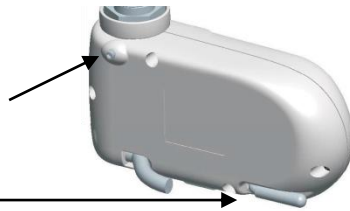
- When installed in a sanitary room, respect all local safety directives and guidelines. Mounting inside zone 1 or 2 is dangerous! Avoid the danger by installing in zone 3 or beyond.
- In case of a walk-in shower, an extended zone 1 applies.
- Prevent any moisture from coming into contact with the radiator, thermostat and connection point.



**Disposal:** This product may NOT be treated as ordinary household waste. It has to be disposed of at proper waste collection sites.

### Water protection:

The IP44 protection level is guaranteed by a special design of the connection parts.



### Sensor

[+]

[Mode]

[On / Stand-by]

[-]

### IR receiver

For optional remote control: EL.AFSTAND.02

All functions are available on the remote control.

### Display:

Indicator element

Operating mode

Open window

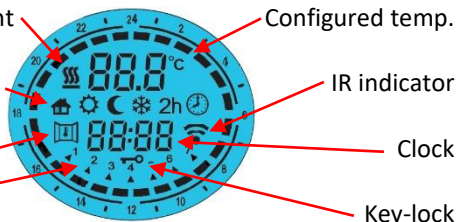
Day

Configured temp.

IR indicator

Clock

Key-lock



### Setting temperature levels (comfort and night):

- Press to turn on the device.
- Press until the display shows to set the temperature of comfort. Set the desired value through [+]/[-].
- Press until the display shows to set the temperature of night. Set the desired value through [+]/[-].

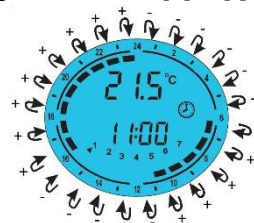
**IMPORTANT: The temperature of 'night' mode must be below the 'comfort' mode temperature.**

### Setting day and time:

- Enter into 'Stand-by' mode and press [-] for 3 seconds until the message 'Set' is displayed on the upper part of the display.
- Press [+] until the bottom part displays 'tEd' and press to enter the editing mode.
- The blinking arrow indicates the currently selected day. Set the desired day with the [+]/[-] and press to confirm.
- After that the currently selected time shows and the correct hour can be set with the [+]/[-] and confirmed by pressing .
- Minutes: same procedure and confirm with .
- At the end of the procedure the thermostat returns into 'Stand-by'.

### Setting the program for 'chrono' mode (weekly program):

- Enter into 'Stand-by' mode and press [-] for 3 seconds until the message 'Set' is displayed on the upper part of the display.
- Press [+] until the bottom part displays 'Prog' and press to enter the editing mode.
- Now a time sequence can be defined for each day of the week. The procedure starts with day 1, and the desired sequence can be configured with the [+]/[-]: For each hour of the day, it is then possible to assign either the 'comfort' temperature (full bar indication displayed) by pressing [+] or the 'night' temperature (empty bar) by pressing the [-].
- Press to confirm the entered configuration for day 1 and repeat the same for the remaining 6 days.



### Open window detection

This function enables detecting a sudden decrease of the temperature. In such a case, the device deactivates the heating element for a maximum of 30 minutes

- Enter into 'Stand-by' mode and press [+] for 3 seconds.
- Press [+] to turn the function on/off and press to confirm and return into 'Stand-by' mode.

### Operating modes:

- Press to turn on the device (or to enter 'stand-by' mode).
- Press to select the desired mode;

Icon	Mode
	The "Comfort" stably maintains the room temperature to a selected value.
	The "Night" mode sets a value of temperature below the "Comfort" temperature value. It is suggested to set this mode during the night or when the room is not occupied for $\geq 2$ hours.
	In "Antifreeze" mode the temperature is fixed to 7°C. The device activates the heating element when the room temperature falls below 7°C.
2h	The "Timer 2h" mode can be used to quickly warm up the room. The device is activated at the maximum power for 2 hours, up to a maximum room temperature of 32°C.
	The chrono mode runs the weekly program preset by the user.
	In "Fil-Pilote" mode the device is managed by a central control system that sets the operating mode for all the connected devices. The device operates with the most advanced "Fil-Pilote" system with six commands, which allows the following functions; <ol style="list-style-type: none"> <li>1. Stand-by /</li> <li>2. Comfort /</li> <li>3. Eco, temperature <math>3,5^{\circ}\text{C} \leq \text{comfort}</math> /</li> <li>4. Antifreeze /</li> <li>5. Eco-1, temperature <math>1^{\circ}\text{C} \leq \text{comfort}</math> /</li> <li>6. Eco-2, temperature <math>2^{\circ}\text{C} \leq \text{comfort}</math></li> </ol>

### Key lock

Press for 3 seconds to (un)lock all buttons except . The (dis)appears on the display.